

---

**Contents Chapter 10**

---

10.1 Spare parts

**Spare parts****10.1 Spare parts****Blast housing and seals**

Item	Part no.	Description	QTY.
1	350-1073-V	Innerseal	1
2	350-1510-VH	Innerseal strap top	1
3	350-1077-V	Innerseal left / right	2
4	350-1079-V	Innerseal strap left / right	2
5	350-1511-VH	Innerseal strap bottom	1
6	350-1074-VH	Innerseal bottom	1
7	350-1082-VH	Mouth seal outer plate	1
8	350-1080-VH	Mouth seal	1
9	350-9006-VH	Blast housing cabinet	1
10	350-1505-VH	Inner mouth strap	1
11	350-1115-SEV	Top liner cover	1
12	350-1068-VH	Grit funnel	1

Spare parts

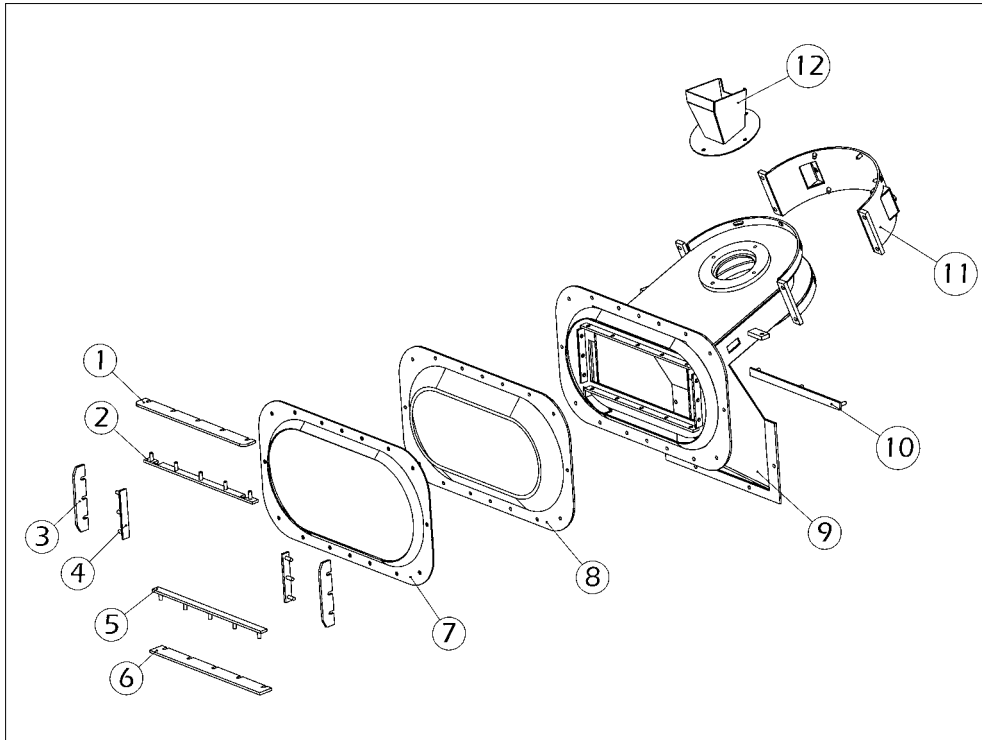


Fig. 10.1

**Spare parts**

**Blast wheel parts and liners**

Item	Part no.	Description	QTY.
1	350-1245-SEV	Impeller bolt	1
2	350-9041-SEVU	Control cage clamp	2
3	350-1010	Control cage	1
4	350-1015	Impeller	1
5	350-1025	Blastwheel	1
6	350-1005	Blades (set of 6)	1
7	222-2265	Taperlock adapter blastwheel	1
8	222-2290	Blastwheel shaft taperlock bush	1
9	350-1035-VH	Liner RH	1
10	350-1030-VH	Liner LH	1
11	350-1040	Top liner	1

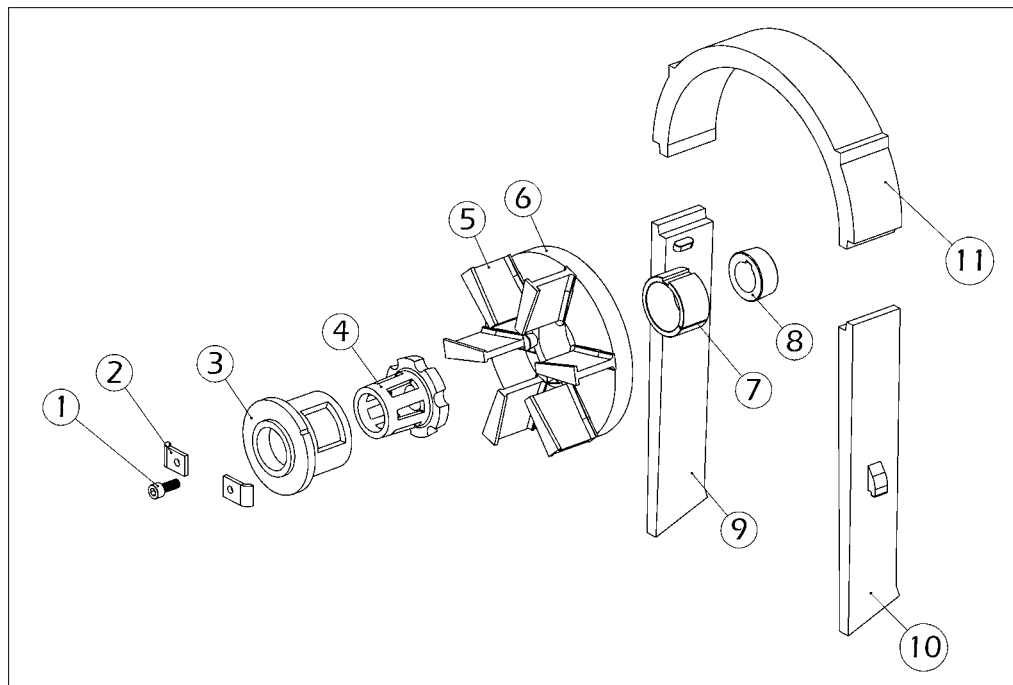


Fig. 10.2

---

**Spare parts**

---

**Separator and hopper**

Item	Part no.	Description	QTY.
1		Separator (part of elevator)	1
2	E00971	Deflection plate	1
3	E00972	Hopper	1
4	E00973	Door lock	1
5	350-9240-VH	Shot valve	1
6	222-2080-V	Bearing seal	2
7	222-2250-V	Bearing	2
8	350-1071	Shot valve insert steel	2
9	350-1070	Shotvalve insert rubber	1
10	350-2015-VH	Shotvalve axle	1
11	350-2016-VH	Shotvalve actuator mount	1

**Spare parts**

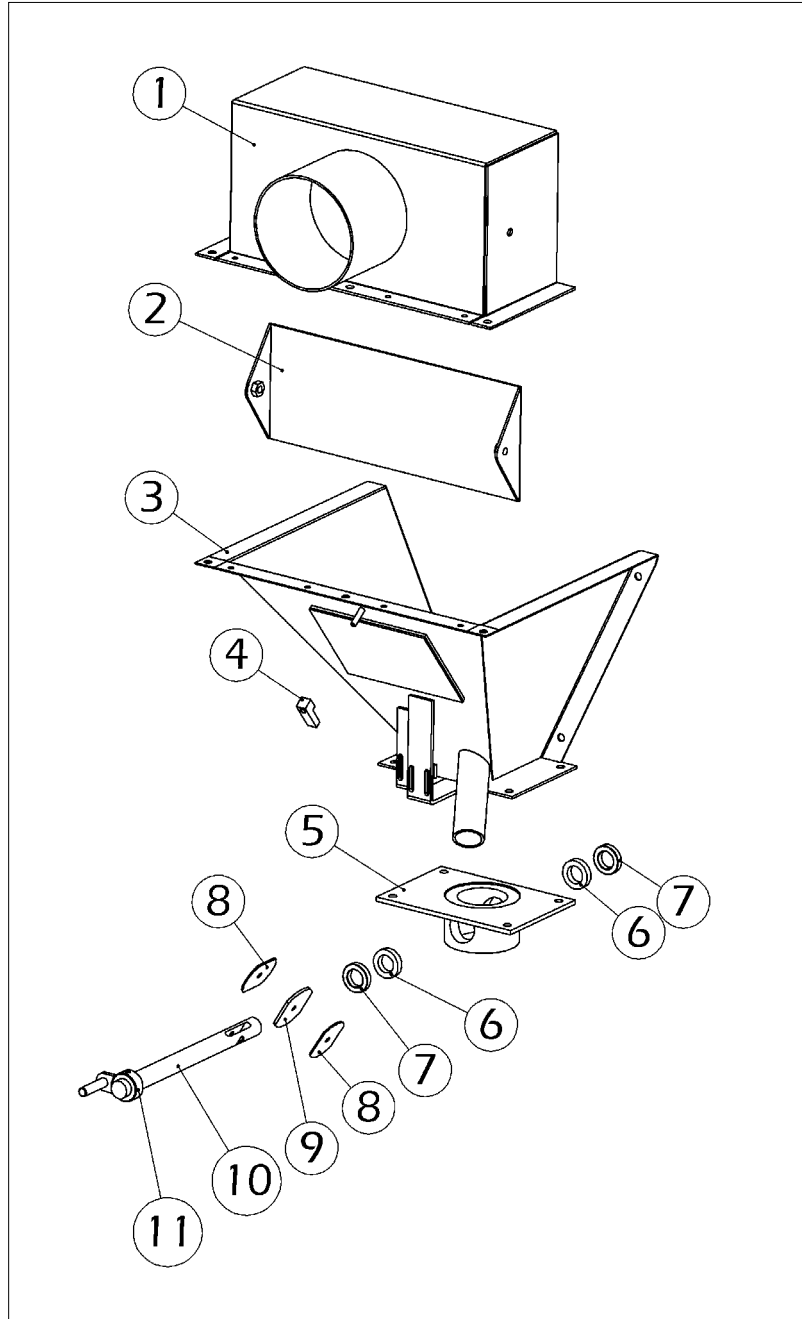


Fig. 10.3

Spare parts

Elevator

Item	Part no.	Description	QTY.
01	222-2243-V	Elevator tension bearing	2
02	350-9250-VH	Metal sealing phase 25	2
03	350-9056-VH	Elevator support roll	3
04	350-2248-VH	Support shaft bottom pulley	3
05	350-9055-VH	Elevator drive roll	1
06	222-2242-V	Bearing for elevator & bobbin	6
07	350-2247-VH	Drive shaft tension pulley	1
08	350-2505-VH	Elevator bucket	30
09	350-2500-VH	Elevator belt complete	1
10	E00979	Elevator grit support plate	1
11	E00980	Elevator frame bottom cover	1
12	E00979	Elevator frame	1
13	350-3065-VH	Elevator motor 0,75 kW	1
14	E00980	Elevator motor chain guard	1
15	E00981	Elevator frame top cover	1
16	E00982	Top cover air plate	1

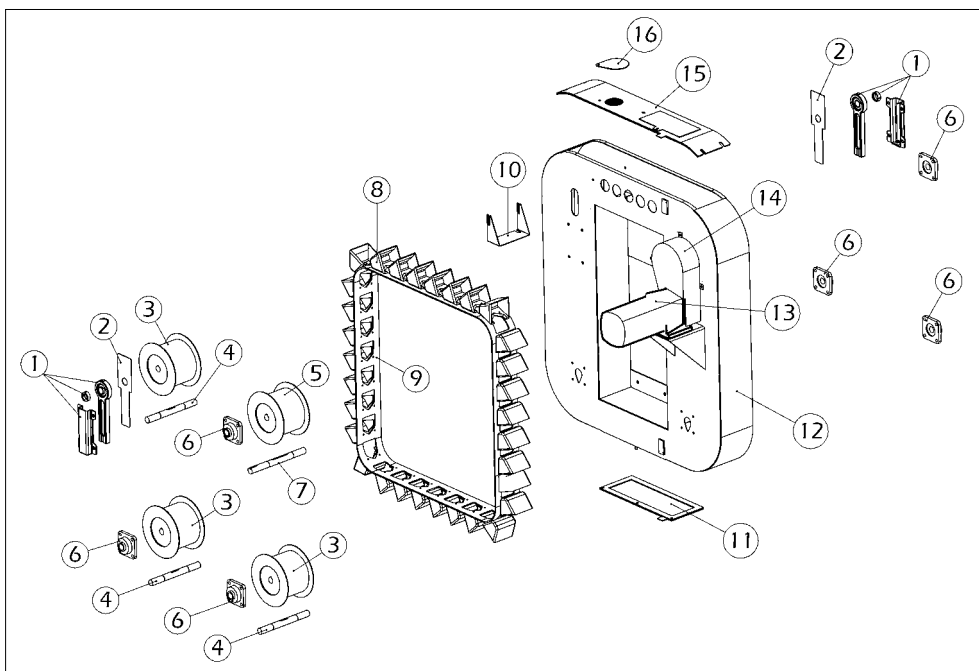


Fig. 10.4

**Spare parts**

**Blast wheel drive**

Item	Part no.	Description	Qty.
01	350-3020-VH	Blastmotor 11kW	1
02	350-2182-V	Belt pulley (60Hz)	1
03	350-2431-V	Blast motor belt (set of 3)	1
04	E00976	Blastwheel belt guard	1
05	350-9007-SEVU	Mounting plate	1
06	350-2451-SEV	Blastwheel bearing house complete	1
07	350-2346-V	Belt pulley (60 Hz)	1

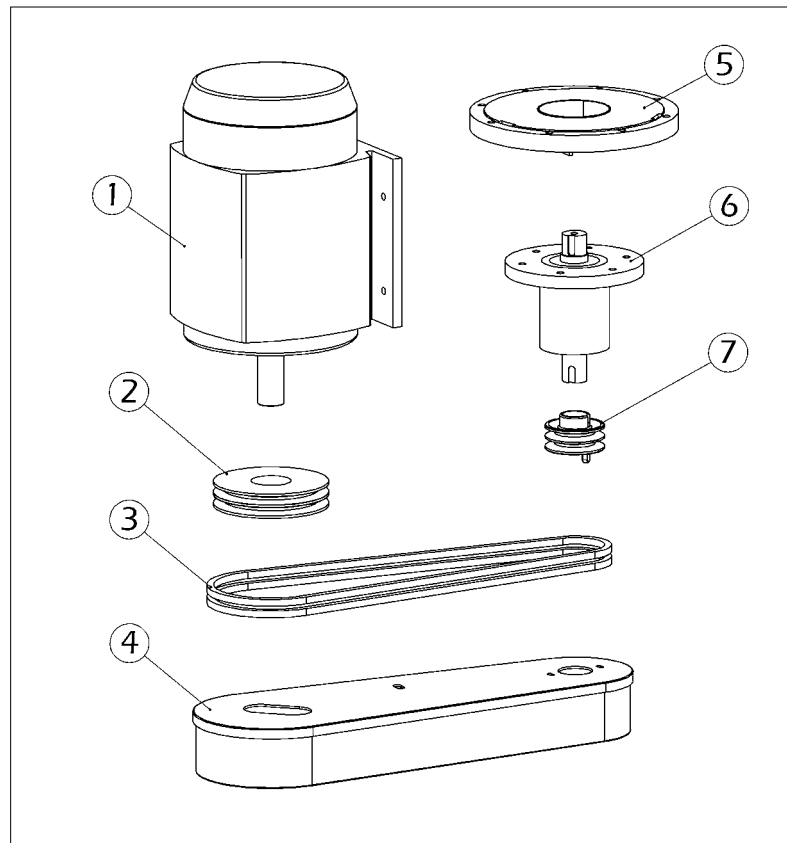


Fig. 10.5



**Spare parts**

**Drive system**

Item	Part no.	Description	QTY.
1	350-2010-SEV	Front wheel castor complete	2
2	350-2012-V	Wheel spacer block	2
3	350-2014-V	Front wheel spacer 5mm	2
4	E00938	Magnet front cover	2
5	350-2515-VH	Magnet	2
6	E00937	Magnet rear cover	2
7	350-1116-VH	Magnet plate	2
8	E00945	Bobbin frame	1
9	350-1108-VH	Drive motor protector	1
10	350-2510-VH	Bobbin complete	2
11	350-3345	Bobbin drive motor	1
12	222-2242	Bearing	4
13	350-2813-VH	Bobbin drive shaft	2
14	350-2816-VH	Bobbin spacer 33 mm	2
15	350-2815	Bobbin spacer 60 mm	2
16	350-2814-VH	Bobbin spacer 75 mm	4
17	350-9000-VH	Bobbin drive disk & bobbin complete	2
18		Bobbin mount bracket	16
19		Bearing for bobbin	32
20	999-1220-V	Bobbin shaft	16
21	350-2507-VH	Bobbin aluminium soft	16

**Spare parts**

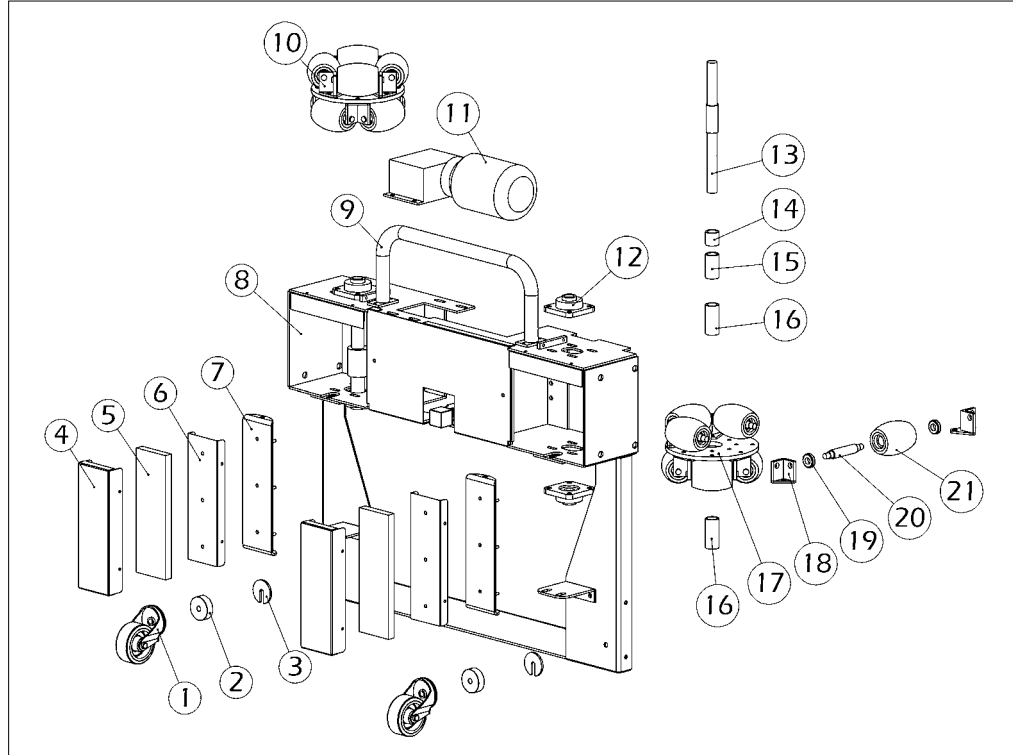


Fig. 10.6

Spare parts

Protection frame, Hoist arm & Electrical components

Item	Part no.	Description	QTY.
1	350-9505-VH	Hoist beam complete	1
2		Protection frame	1
3	035-3191-VH	Abrasive valve actuator	1
4	035-3192	Actuator motor	1
5	035-3193-VH	Actuator motor cover (set of 2)	1
6	333-3440	Reed contactor limit switch	2
7		Cable support	1
8		Electrobox complete	1
9	333-3498	Limit switch	2
10	333-3507	Rollever (limit switch)	1
11	350-3345-VH	Bobbin drive motor 0,18 kW	1
12	035-3365-VH	Proximity switch flexor	1
13	023-2071	Plug 32A - 4p - 380V	1

